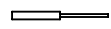
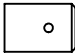
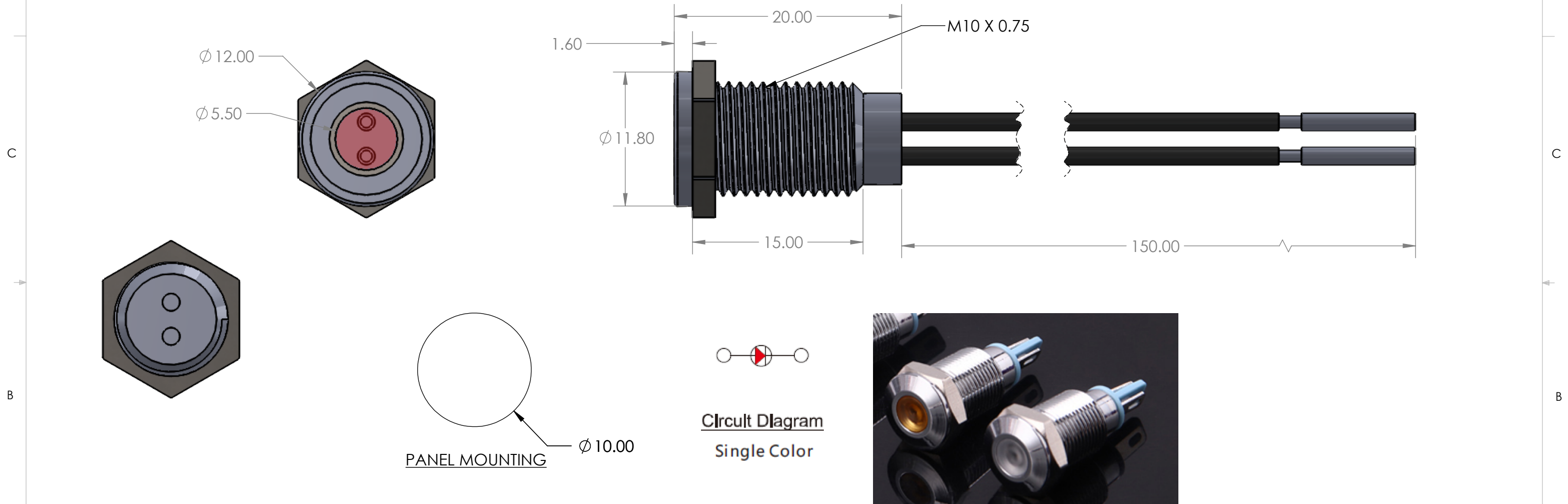


TERMINATION		
Style	Code	Specifications
	1	Rear Epoxy Wire
	5	Solder lug/fastons (2.8 x 0.8)

THIS DRAWING AND DIMENSIONS PROVIDED FOR REFERENCE ONLY.

REVISIONS				
ZONE	REV.	DESCRIPTION	DATE	APPROVED
	A	INITIAL RELEASE	2/22/2023	JAKE JANOSO



Technical Notes:

Lamp Voltage: 3-250VAC/DC
 Rating: 20mA 250VDC;
 Dielectrical Withstanding Voltage: 1100VAC For 1 Minute
 Operating Life: 40,000 Hours
 Function: Indicator Light;
 Operating Temperature: -20 - 70°C
 Protection Grade: IP67 IK10;
 Connection Type: Wire Harness


Material:

Base Material: EP
 Lamp Shade Material: PC
 Case Material: Stainless Steel

*Mounting Hole Dimensions shown are TYPICAL.
 Customer is responsible for determining
 final size based on panel material and thickness



SOREN SON LIGHTED CONTROLS, INC.
 100 Shield Street - West Hartford, CT 06110

PROPRIETARY NOTICE NOTICE TO ALL PERSONS RECEIVING THIS DRAWING. THIS DOCUMENT IS THE SOLE PROPERTY OF SORENSON LIGHTED CONTROLS, INC. AND IS NOT TO BE DISCLOSED, REPRODUCED IN WHOLE OR IN PART, OR USED FOR ANY MANUFACTURING PURPOSES BY ANYONE WITHOUT THE EXPRESS CONSENT OF SORENSON LIGHTED CONTROLS, INC.	UNSPECIFIED TOLERANCES FRAC. ±1/64 X.XXX ±0.005 X.XX ±0.01 ANGLES ±1°		TOOL NO. DRAWN JAJ DATE 2/21/23 CHECKED DATE APVD DATE	
	PROJECTIONS 	DIMENSIONS mm		

TITLE CUSTOMER DRAWING			
SIZE B	DWG. NO. BR SERIES-10 MM	REV A	
USED ON		SCALE 3:1	SHEET 1 OF 1