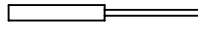
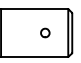
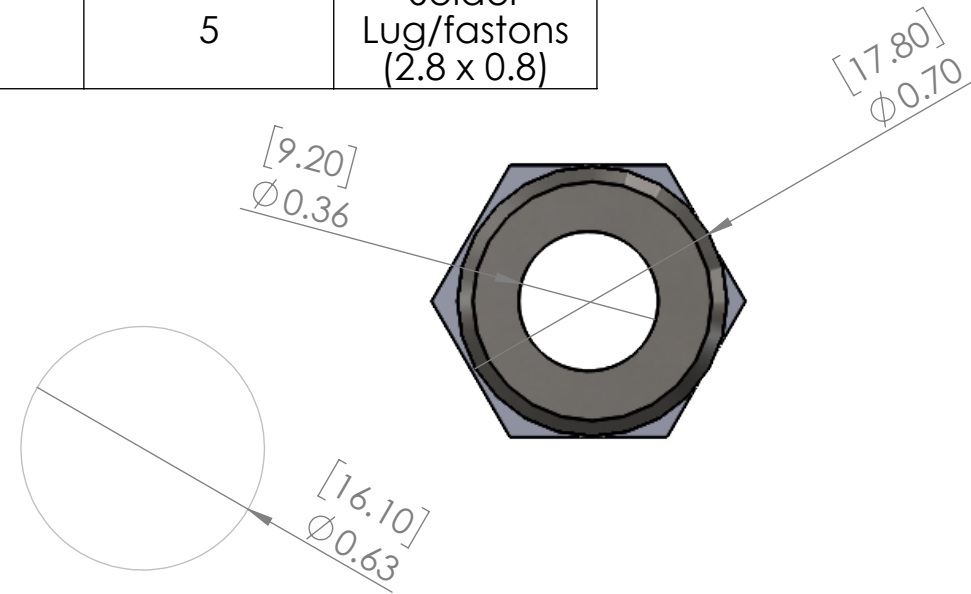


THIS DRAWING AND DIMENSIONS PROVIDED FOR REFERENCE ONLY.

DWG NO.	SERIES BR	REV.
		A

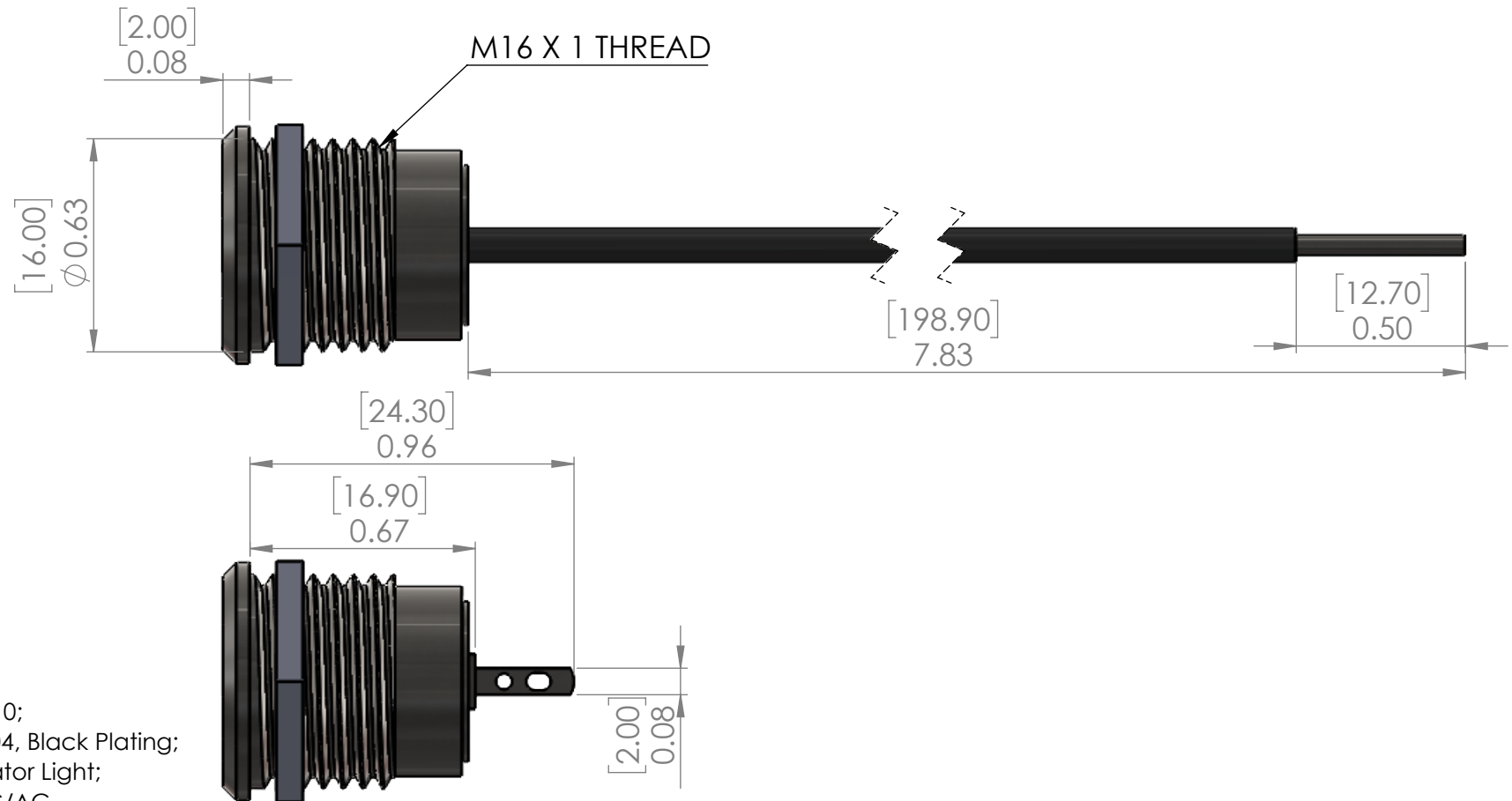
TERMINATION		
Style	Code	Specifications
	1	Rear Epoxy Wire
	5	Solder Lug/fastons (2.8 x 0.8)

REV.	DESCRIPTION	DATE	APPROVED
A	INITIAL RELEASE	3/23/22	JAKE JANOSO
B	UPDATED DIMENSIONS AND PART INFO	5/4/22	JAKE JANOSO



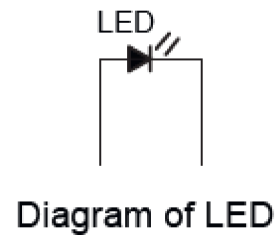
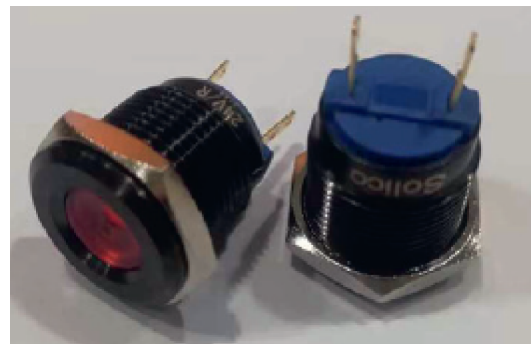
MOUNTING HOLE

PANEL THICKNESS RANGE:  
.039-.393" (1-10 mm)



**Technical Notes:**


Nut Torque: 2-14 N\*m;  
Protection Grade: IP68 IK10;  
Material: Stainless Steel 304, Black Plating;  
Product name: LED Indicator Light;  
Lamp Voltage: 3-250 VDC/AC  
Rating: 20mA 250VDC MAX;  
Dielectrical Life: more than 100,000 hours  
Operating Temperature: -40 - 70°C/-40 - 70°F  
Storage Temperature: -40 - 70°C/-40 - 70°F  
Operating Humidity: 10-90%  
Connection Type: Pin Connection;  
Base Material: PA66  
Certification: Compliance with ROHS requirement



SORENSEN LIGHTED CONTROLS, INC.  
100 Shield Street - West Hartford, CT 06110

\*Mounting Hole Dimensions shown are TYPICAL.  
Customer is responsible for determining  
final size based on panel material and thickness

SOLICO PART NUMBER

<b>PROPRIETARY NOTICE</b> NOTICE TO ALL PERSONS RECEIVING THIS DRAWING, THIS DOCUMENT IS THE SOLE PROPERTY OF SORENSON LIGHTED CONTROLS, INC. AND IS NOT TO BE DISCLOSED, REPRODUCED IN WHOLE OR IN PART, OR USED FOR ANY MANUFACTURING PURPOSES BY ANYONE WITHOUT THE EXPRESS CONSENT OF SORENSON LIGHTED CONTROLS, INC.	<b>UNSPECIFIED TOLERANCES</b> FRAC. ±1/64    X.XXX ±0.005 X.XX ±0.01    ANGLES ±1°		TOOL NO. DRAWN    JAJ    DATE    3/23/22 CHECKED       DATE APVD       DATE	
	PROJECTIONS 	DIMENSIONS IN (mm)		

TITLE CATALOG DRAWING		
SIZE <b>B</b>	DWG. NO. SERIES BR-16MM	REV <b>B</b>
USED ON		SHEET 1 OF 1
		2:1