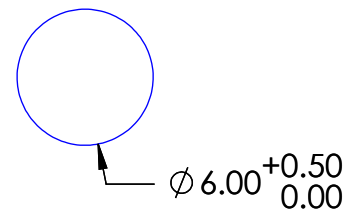
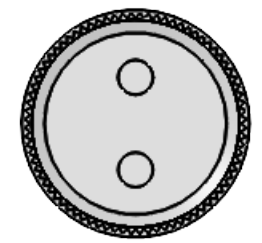
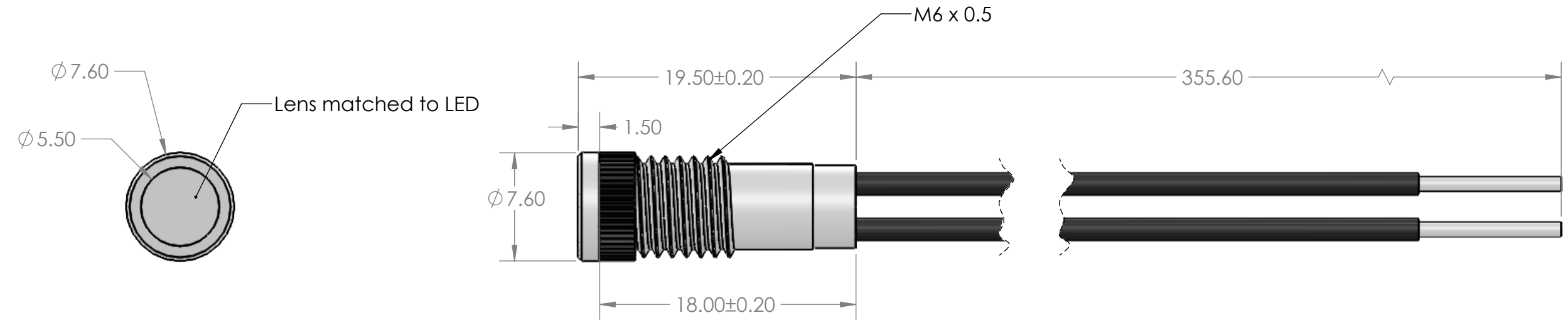


8 7 6 5 4 3 2 1

THIS DRAWING AND DIMENSIONS PROVIDED FOR REFERENCE ONLY.

REVISIONS				
ZONE	REV.	DESCRIPTION	DATE	APPROVED
	A	INITIAL RELEASE	3/15/2024	JAKE JANOSO



PANEL MOUNTING



Circuit Diagram
Single Color



*Mounting Hole Dimensions shown are TYPICAL. Customer is responsible for determining final size based on panel material and thickness

Technical Notes:
 Lamp Voltage: 3-250VAC/DC
 Dielectrical Withstanding Voltage: 1100VAC For 1 Minute
 Operating Life: 40,000 Hours
 Function: Indicator Light;
 Operating Temperature: -20 - 80°C
 Protection Grade: IP67 IK10;
 Connection Type: Wire Harness with Molex Contact Connector

Material:
 Base Material: EP
 Lamp Shade Material: PC
 Case Material: Stainless Steel

<p>PROPRIETARY NOTICE</p> <p>NOTICE TO ALL PERSONS RECEIVING THIS DRAWING. THIS DOCUMENT IS THE SOLE PROPERTY OF SORENSON LIGHTED CONTROLS, INC. AND IS NOT TO BE DISCLOSED, REPRODUCED IN WHOLE OR IN PART, OR USED FOR ANY MANUFACTURING PURPOSES BY ANYONE WITHOUT THE EXPRESS CONSENT OF SORENSON LIGHTED CONTROLS, INC.</p>	<p>UNSPECIFIED TOLERANCES</p> <p>FRAC. $\pm 1/64$ X.XXX ± 0.005 X.XX ± 0.01 ANGLES $\pm 1^\circ$</p>		<p>TOOL NO.</p>	
	<p>PROJECTIONS</p>	<p>DIMENSIONS</p> <p>mm</p>	<p>DRAWN JAJ</p>	<p>DATE 3/18/24</p>
			<p>CHECKED</p>	<p>DATE</p>
			<p>APVD</p>	<p>DATE</p>

SORENSON LIGHTED CONTROLS, INC.
 100 Shield Street - West Hartford, CT 06110

TITLE: CUSTOMER DRAWING

SIZE: B	DWG. NO.: BR SERIES-6 MM	REV: A
USED ON:	SCALE: 3:1	SHEET 1 OF 1

8 7 6 5 4 3 2 1