

Series 68

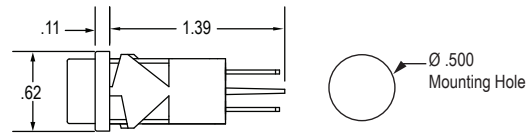
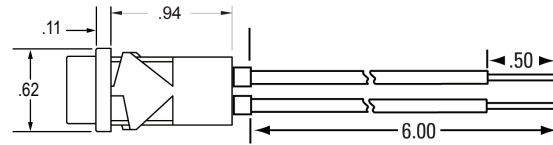
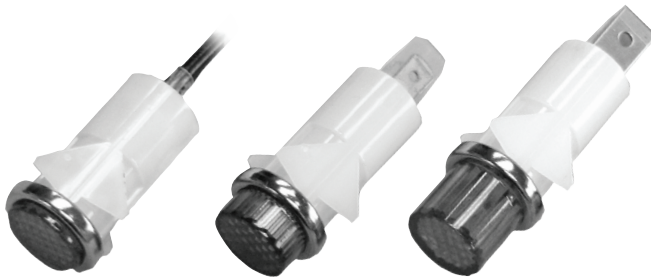
Features

- Snap fits into .500" panel hole
- LED, incandescent, and neon illumination
- Many lens styles available
- Splashproof

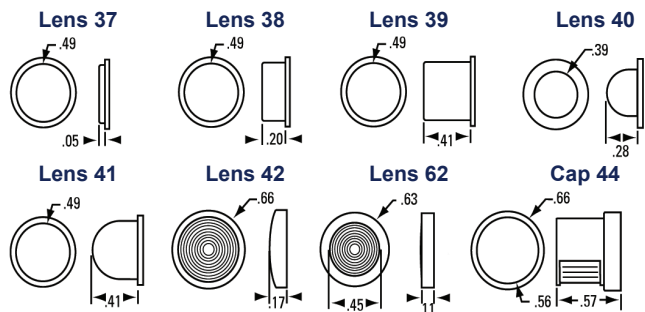
Specifications

- Body Material: Polycarbonate
- Lens Material: Polycarbonate
- Bezel Material: Stainless Steel or Plated Brass
- Wire Gauge: 20 ga.
- Wire Strip: 1/2"
- Terminals: .187 or .250 Tabs
- Panel Thickness: .030" to .093"
- Certifications: Contact Us

Shown with lens 38



Series	Lamp		Termination		Base		Bezel		Lens				
XX	XX	-	X	-	X	X	-	XXX	X	0			
68	Voltage	Type	Code	Style	Code	Color	Code	Finish	Code	Style	Code	Color	Plain
	2	LED	10	6" wire	1	N/A	0	None	0	Cylinder Translucent ¹	371	Red	1
	6	LED	11	.187 Tabs	3			Stainless	1	Cylinder Diamond	373	Amber	2
	14	LED	12	.250 Tabs	4			Bright	2	Cylinder Rings	376	Clear ²	3
	28	LED	13					Black	3	Cylinder Translucent ¹	381	Green	4
	125	LED ⁴	15							Cylinder Diamond	383	Blue	5
	250	LED ⁴	16							Cylinder Rings	386	White	6
	6	INCAND	32							Cylinder Translucent ¹	391		
	14	INCAND	35							Cylinder Diamond	393		
	28	INCAND	39							Cylinder Rings	396		
	125	NEON	50							Small Dome Translucent ¹	401		
	250	NEON	52							Small Dome Lines	405	Color	Marked
	480	NEON ⁴	54							Large Dome Translucent ¹	411	Red	A
	600	NEON ⁴	55							Large Dome Lines	415	Amber	B
										Semi Dome Translucent ^{1,3}	421	Clear ²	C
										Semi Dome Rings ³	426	Green	D
										Flush Lens w/Tapered Bezel ⁵	626	Blue	E
										Cap, Black (F1C) Translucent ^{1,3}	441	White	F
										Cap, Black (F1C) Transparent ³	444		



White is Translucent
Clear is Transparent

Additional Options Available:
Contact Factory

1. Translucent Lens is not recommended for use with LED
2. Specify LED Color
3. Bezel not available
4. Wire Leads only
5. Bright Bezel only, use code 2