

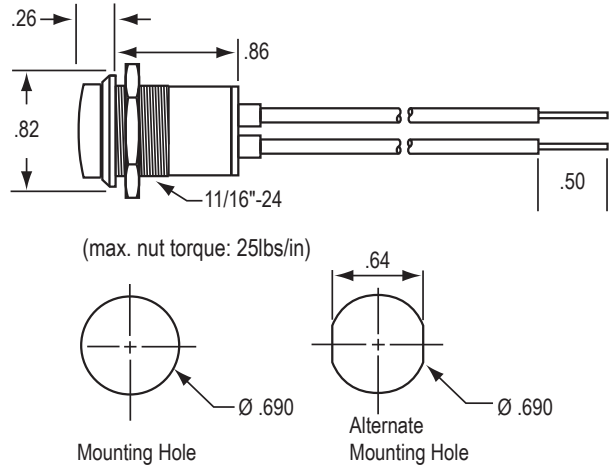
Series 65

Features

- Fits into .690" panel hole
- Threaded mount
- LED cluster lighting
- Daylight Visible
- Supplied w/ hex nut, lock washer and gasket
- Sealed, NEMA 3-R

Specifications

- Body Material: Nylon
- Lens Material: Polycarbonate
- Wire Gauge: 20 ga.
- Wire Strip: 1/2"
- Terminals: .187 or .250 Tabs
- Panel Thickness: .050" to .187"
- Certifications: Contact Us

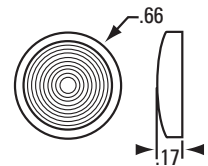


Series	Lamp			Termination		Base		Bezel		Lens				
XX	XX	-	X	-	X	X	-	XXX	X	0				
65	Voltage	Type	Code	Style	Code	Color	Code	Finish	Code	Style	Code	Color	Code	
	14	LED	12	6" Wire	1	White	1	None	0	Semi-Dome Translucent	421	Red	1	
	28	LED	13	.187 Tabs	3	Black	2			Semi-Dome Rings	426	Amber	2	
	125	LED ¹	15	.250 Tabs	4					Semi-Dome Rings w/ Diffuser	42A	Clear ^{1,3}	3	
												Green	4	
												Blue	5	
												White	6	
												Yellow	8	

White is Translucent
Clear is Transparent

LED Light Output (mcd)²

Red	10k typ.
Green	15k typ.
Blue	7k typ.
White	12k typ.
Yellow	8k typ.



Lens 42

Additional Options Available:

Contact Factory

1. Reduced Intensity
2. Daylight Visible LED's may require ESD handling
3. Specify LED color