

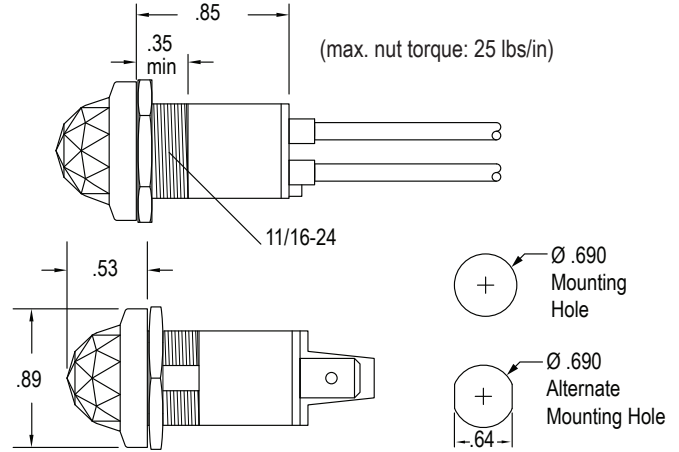
# Series 66

## Features

- Fits into .690" panel hole
- Threaded mount
- LED cluster lighting
- Daylight Visible
- Supplied w/ hex nut, lock washer and gasket
- Splashproof

## Specifications

- Body Material: Nylon
- Lens Material: Polycarbonate
- Wire Gauge: 20 ga.
- Wire Strip: 1/2"
- Terminals: .187 or .250 Tabs
- Panel Thickness: .050" to .187
- Certifications: Contact Us

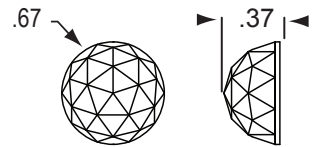


Series	Lamp			Termination		Base		Bezel		Lens			
XX	XX			X		X		X		XXX	X	0	
	Voltage	Type	Code	Style	Code	Color	Code	Finish	Code	Style	Code	Color	Code
66	14	LED	12	6" Wire	1	White	1	Matte Black	5	Faceted Dome Translucent <sup>4</sup>	661	Red	1
	28	LED	13	.187 Tabs	3			Matte White	6	Faceted Dome Transparent	662	Amber	2
	125	LED <sup>1</sup>	15	.250 Tabs	4					Faceted Dome Transparent <sup>1</sup> w/ Diffuser	66A	Green	4
												Blue	5
												White <sup>3</sup>	6

White is Translucent

### LED Light Output (mcd)<sup>2</sup>

Red	10k typ.
Green	15k typ.
Blue	7k typ.
White	12k typ.
Yellow	8k typ.



Lens 66

### Additional Options Available:

Contact Factory

1. Reduced Intensity
2. Daylight visible LED's may require ESD handling
3. Translucent only
4. White only