

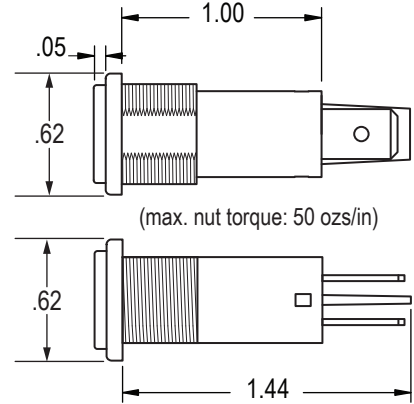
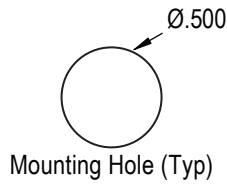
Series 67

Features

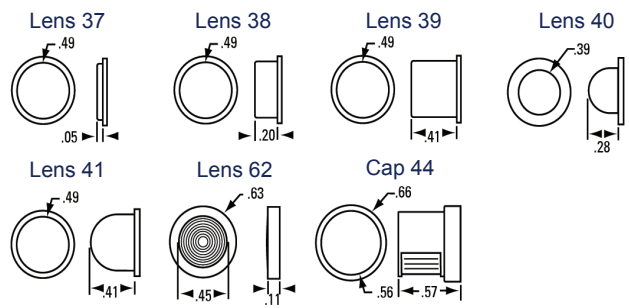
- Fits into .500" panel hole
- LED, incandescent, and neon illumination
- Sealed, NEMA 3-R

Specifications

- Body & Lens Material: Polycarbonate
- Bezel Material: Stainless steel or plated brass
- Terminals: .187 or .250 Tabs
- Panel Thickness: .031" to .125"
- Certifications: Contact Us



Series	Lamp			Termination		Base		Bezel			Lens		
XX	XX		X	X	X	X		XXX	X	0			
Code	Voltage	Type	Code	Style	Code	Color	Code	Finish	Code	Style	Code	Color	Code
67	2	LED	10	.187 Tabs	3	N/A	0	None	0	Cylinder Translucent ¹	371	Red	1
	6	LED	11	.250 Tabs	4			Stainless	1	Cylinder Diamond	373	Amber	2
	14	LED	12					Bright	2	Cylinder Rings	376	Clear ²	3
	28	LED	13					Black	3	Cylinder Translucent ¹	381	Green	4
										Cylinder Diamond	383	Blue	5
	6	INCAND	32							Cylinder Rings	386	White	6
	14	INCAND	35							Cylinder Translucent ¹	391		
	28	INCAND	39							Cylinder Diamond	393	<u>Color</u>	<u>Marked</u>
										Cylinder Rings	396	Red	A
	125	NEON	50							Small Dome Translucent ¹	401	Amber	B
	250	NEON	52							Small Dome Lines	405	Clear ²	C
										Large Dome Translucent ¹	411	Green	D
										Large Dome Lines	415	Blue	E
										Flush Lens w/Tapered Bezel ⁴	626	White	F
										Cap, Black (F1C) Translucent ^{1,3}	441		
										Cap, Black (F1C) Transparent ³	444		



White is Translucent
Clear is Transparent

Additional Options Available:
Contact Factory

1. Translucent Lens is not recommended for use with LED
2. Specify LED Color
3. Bezel not available
4. Bright Bezel only, use code 2