

SoLiCo

LED PAR16 / E27 Spotlight



3 High Power LED Chips
4 W Power Consumption
85 - 264VAC

Features and Benefits

- 3, 1W CREE LED chips
- Uniform Light, Anti-Glare
- Special Heatsink design, Aluminum alloy shell
- Over-heat protection
- Isolating Transformer built-in for safety
- CRI: 78 ~ 82
- Standard Color Temperature:
 - Warm White: 3000°K
 - White: 4000°K
 - Pure White: 6000°K
- Standard colors: White / Warm White / Pure White
- Optional colors: Red / Amber / Green / Blue
- 4W LED E27 = 25W Halogen E27
- No UV or other hazardous substance

Other types / styles available upon request.

SoLiCo's E27 LED retrofit lighting integrates advanced LED technology with patented optics and heatsink design. With 3, 1W high performance CREE LED chips inside, it emits much clearer and more defined light output.

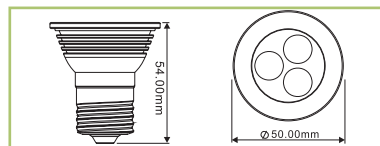
E27 LED retrofit lighting can save up to 80% power over traditional halogen and up to 60% energy over compact fluorescent lamps. They have an expected life of 50,000 hours and standard input voltages of 110 or 220 VAC. They contain no hazardous substances. E27 LED retrofit is the ideal energy efficient replacement for traditional lighting.



E27 LED retrofit lighting is ideal for a wide variety of lighting applications, including retail store spot light, ceiling downlight, and many other home accent lighting uses.



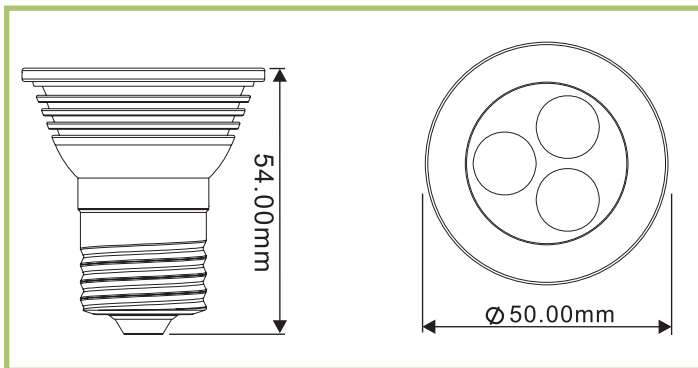
Sorenson Lighted Controls
Illuminating Innovation™



Technical Specifications

Available Color	Warm White (WW)	White (W)	Pure White (PW)
Color Temperature:	3000 ± 250K	4000 ± 250K	6000 ± 250K
Output Lumen:	135 ± 15lm	150 ± 15lm	165 ± 15lm
CRI:	>82	>80	>78
Beam Angle:	28°		
Wattage:	4W		
Input Voltage:	85 - 264VAC		
LED Working Current:	300 ± 20mA		
Frequency:	47 - 63 Hz		
Storage Temperature:	-20°C - +80°C		
Operating Temperature:	-30°C - +40°C		
Thermal Management:	ACPI with Constant Current Regulator		
Housing & Lampshade:	PC and Aluminum Base		
Life Time:	More than 50,000 hours @ 70% Lumen Maintenance at 25°C room temperature		
Approval:	Pass: CE, FCC, RoHS, EMC/TUV In process: c-UL		

Dimensions & Measurements



Ordering Information

SOLICO	Voltage	Power	Input Current	LED qty	LED Color *	Color Temp °K	Luminous Flux lm
RA-16E27-156C04-03-0	AC85-264v	3.0 ± 10%	20%	3	Warm White	3000 ± 250k	135 ± 20 lm
RA-16E27-15WC04-03-0	AC85-264v	3.0 ± 10%	20%	3	White	4000 ± 250k	150 ± 20 lm
RA-16E27-15PC04-03-0	AC85-264v	3.0 ± 10%	20%	3	Pure White	6000 ± 250k	165 ± 20 lm

* Red, Amber, Green, Blue available. Contact Factory

Technical Comparison

Item	Halogen Lamp	LED PAR16 / E27
Light sources:	Halogen	3pcs 1W LED
Power Consumption:	25 watt	4 watt
Lumen Output	160-180Lm	135-165Lm
Luminous Efficiency	10 - 15 lm/w	45 - 55 lm/w
CRI	95	78 - 82
Operating Temperature	-10~40°C	-30~40°C
Life span	1000 - 2000 hrs	50.000 hrs
Reaction Time	0.5S	0.01S
Environment Protection	Not Friendly	No Toxicity, No Radiation
Maintenance Frequency	Often	Low

Candle Power Distribution

