

SoLiCo LED PAR30 Spotlight



**9 High Power LED Chips
13 W Power Consumption
85 - 264VAC**

Features and Benefits

- 9, 1W CREE LED chips
- Uniform Light, Anti-Glare
- Special Heatsink design, Aluminum alloy shell
- Over-heat protection
- Isolating Transformer built-in for safety
- CRI: 78 ~ 82
- Standard Color Temperature:
 - Warm White: 3000°K
 - White: 4250°K
 - Pure White: 6500°K
- Standard colors: White / Warm White / Pure White
- Optional colors: Red / Amber / Green / Blue
- 13W LED PAR30 = 75W Halogen PAR30
- No UV or other hazardous substance

Other types / styles available upon request.

SoLiCo's PAR30 LED retrofit lighting integrates advanced LED technology with patented optics and heatsink design. With 9, 1W high performance CREE LED chips inside, it emits much clearer and more defined light output.

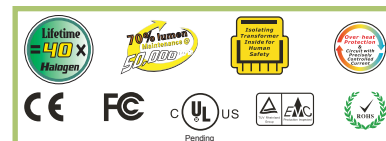
PAR30 LED retrofit lighting can save up to 80% power over traditional halogen and up to 60% energy over compact fluorescent lamps. They have an expected life of 50,000 hours and standard input voltages of 110 or 220 VAC. They contain no hazardous substances. PAR30 LED retrofit is the ideal energy efficient replacement for traditional lighting.



PAR30 LED retrofit lighting is ideal for a wide variety of lighting applications, including retail store spot light, ceiling downlight, and many other home accent lighting uses.



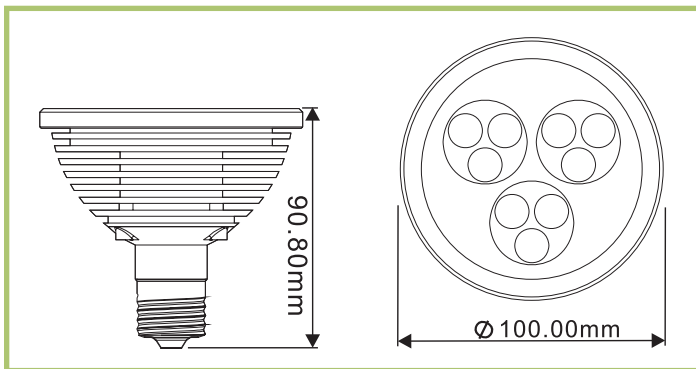
Sorenson Lighted Controls
Illuminating Innovation™



Technical Specifications

Available Color	Warm White (WW)	White (W)	Pure White (PW)
Color Temperature:	3000 ± 250K	4250 ± 250K	6500 ± 250K
Output Lumen:	400 ± 20 lm	420 ± 20 lm	450 ± 20 lm
CRI:	>82	>80	>78
Beam Angle:	28°		
Wattage:	13W		
Input Voltage:	85 - 264VAC		
LED Working Current:	300 ± 20mA		
Frequency:	50 - 60 Hz		
Storage Temperature:	-20°C - +80°C		
Operating Temperature:	-30°C - +40°C		
Thermal Management:	ACPI with Constant Current Regulator		
Housing & Lampshade:	PC and Aluminum Base		
Life Time:	More than 50,000 hours @ 70% Lumen Maintenance at 25°C room temperature		
Approval:	Pass: CE, FCC, RoHS, EMC/TUV In process c-UL		

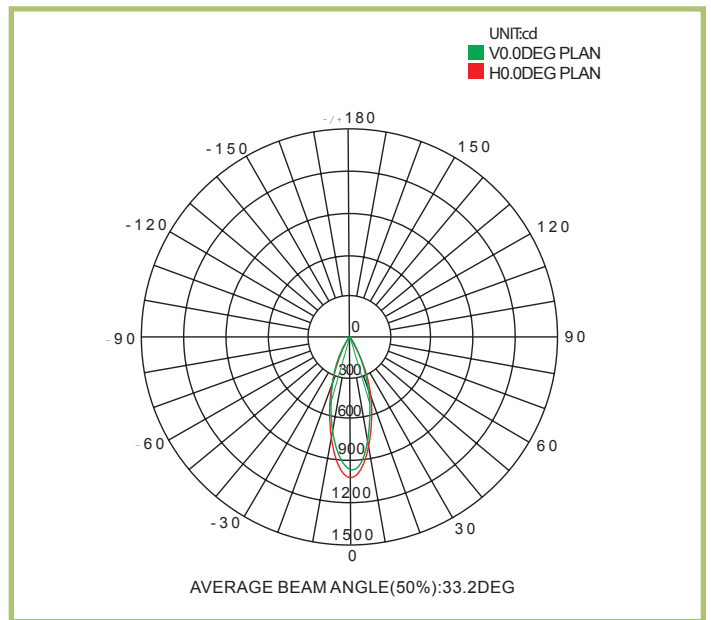
Dimensions & Measurements



Technical Comparison

Item	Halogen Lamp	LED PAR 30
Light sources:	Halogen	9 pcs 1W CREE LED
Power Consumption:	75 watt	13 watt
Lumen Output	650 - 700Lm	400 - 450 Lm
Luminous Efficiency	10 - 15 lm/w	60 - 70 lm/w
CRI	95	78 - 82
Color Temperature	2700k - 3000k	2700k - 6500k
Life span	1000 - 2000 hrs	50.000 hrs
Reaction Time	0.5S	0.01S
Environment Protection	Not Friendly	No Toxicity, No Radiation
Maintenance Frequency	Often	Low

Candle Power Distribution



Ordering Information

SOLICO	Voltage	Power	Input Current	LED qty	LED Color *	Color Temp °K	Luminous Flux lm
RA-30E27-156C09-13-0	AC85-264v	13W ± 10%	300mA	9	Warm White	3000 ± 250k	420 lm ± 10%
RA-30E27-15WC09-13-0	AC85-264v	13W ± 10%	300mA	9	White	4250 ± 250k	420 lm ± 10%
RA-30E27-15PC09-13-0	AC85-264v	13W ± 10%	300mA	9	Pure White	6500 ± 250k	420 lm ± 10%

* Red, Amber, Green, Blue available. Contact Factory