

# SoLiCo LED PAR38 Spotlight



**15 High Power LED Chips  
22 W Power Consumption  
85 - 264VAC**

## Features and Benefits

- 15, 1W CREE LED chips
- Uniform Light, Anti-Glare
- Special Heatsink design, Aluminum alloy shell
- Over-heat protection
- Isolating Transformer built-in for safety
- CRI: 78 ~ 82
- Standard Color Temperature:
  - Warm White: 3000°K
  - White: 4250°K
  - Pure White: 6500°K
- Standard colors: White / Warm White / Pure White
- Optional colors: Red / Amber / Green / Blue
- 22W LED PAR38 = 100W Halogen PAR38
- No UV or other hazardous substance

*Other types / styles available upon request.*

**S**oLiCo's PAR38 LED retrofit lighting integrates advanced LED technology with patented optics and heatsink design. With 15, 1W high performance CREE LED chips inside, it emits much clearer and more defined light output.

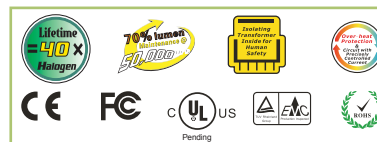
PAR38 LED retrofit lighting can save up to 80% power over traditional halogen and up to 60% energy over compact fluorescent lamps. They have an expected life of 50,000 hours and standard input voltages of 110 or 220 VAC. They contain no hazardous substances. PAR38 LED retrofit is the ideal energy efficient replacement for traditional lighting.



*PAR38 LED retrofit lighting is ideal for a wide variety of lighting applications, including retail store spot light, ceiling downlight, and many other home accent lighting uses.*



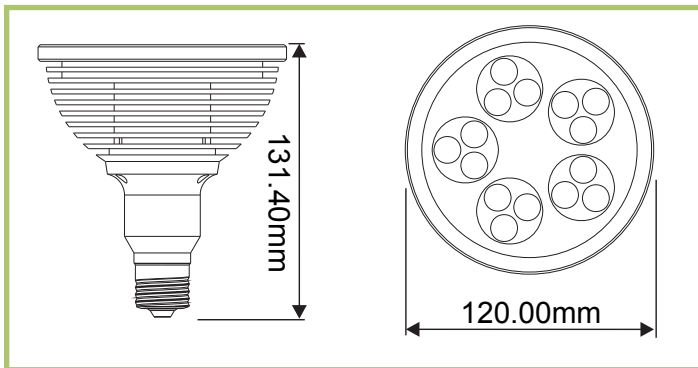
**Sorenson Lighted Controls**  
Illuminating Innovation™



## Technical Specifications

Available Color	Warm White (WW)	White (W)	Pure White (PW)
Color Temperature:	3000 ± 250K	4250 ± 250K	6500 ± 250K
Output Lumen:	850 ± 20 lm	850 ± 20 lm	900 ± 20 lm
CRI:	>82	>80	>78
Beam Angle:	28°		
Wattage:	22W		
Input Voltage:	85 - 264VAC		
LED Working Current:	300 ± 20mA		
Frequency:	50 - 60 Hz		
Storage Temperature:	-20°C - +80°C		
Operating Temperature:	-30°C - +40°C		
Thermal Management:	ACPI with Constant Current Regulator		
Housing & Lampshade:	PC and Aluminum Base		
Life Time:	More than 50,000 hours @ 70% Lumen Maintenance at 25°C room temperature		
Approval:	Pass: CE, FCC, RoHS, EMC/TUV In process c-UL		

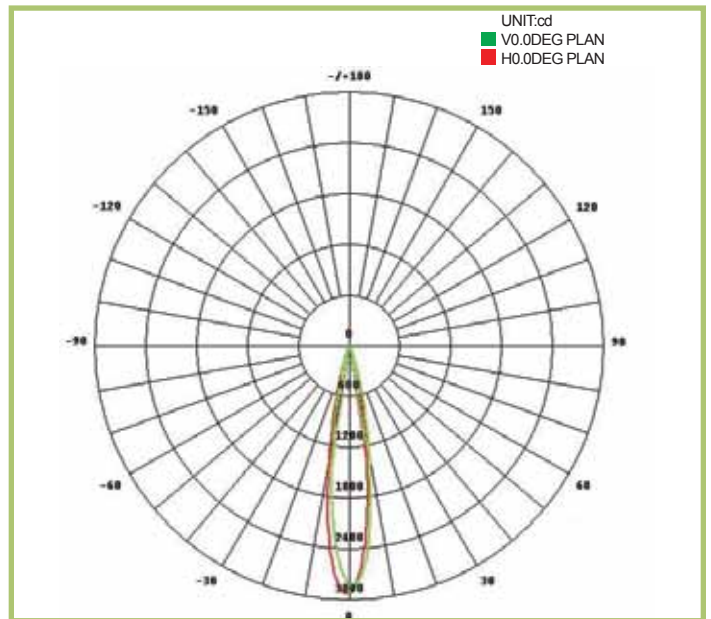
## Dimensions & Measurements



## Technical Comparison

Item	Halogen Lamp	LED PAR 38
Light sources:	Halogen	15 pcs 1W LED
Power Consumption:	100 watt	22 watt
Lumen Output	950 - 1000Lm	850 - 900 Lm
Luminous Efficiency	10 - 15 lm/w	40 - 50 lm/w
CRI	95	78 - 82
Color Temperature	2700k - 3000k	2700k - 6500k
Life span	1000 - 2000 hrs	50.000 hrs
Reaction Time	0.5S	0.01S
Environment Protection	Not Friendly	No Toxicity, No Radiation
Maintenance Frequency	Often	Low

## Candle Power Distribution



## Ordering Information

SOLICO	Voltage	Power	Input Current	LED qty	LED Color *	Color Temp °K	Luminous Flux lm
RA-38E27-156C12-22-0	AC85-264v	22W ± 10%	300mA	15	Warm White	3000 ± 250k	850 lm ± 10%
RA-38E27-15WC12-22-0	AC85-264v	22W ± 10%	300mA	15	White	4250 ± 250k	850 lm ± 10%
RA-38E27-15PC12-22-0	AC85-264v	22W ± 10%	300mA	15	Pure White	6500 ± 250k	900 lm ± 10%

\* Red, Amber, Green, Blue available. Contact Factory