

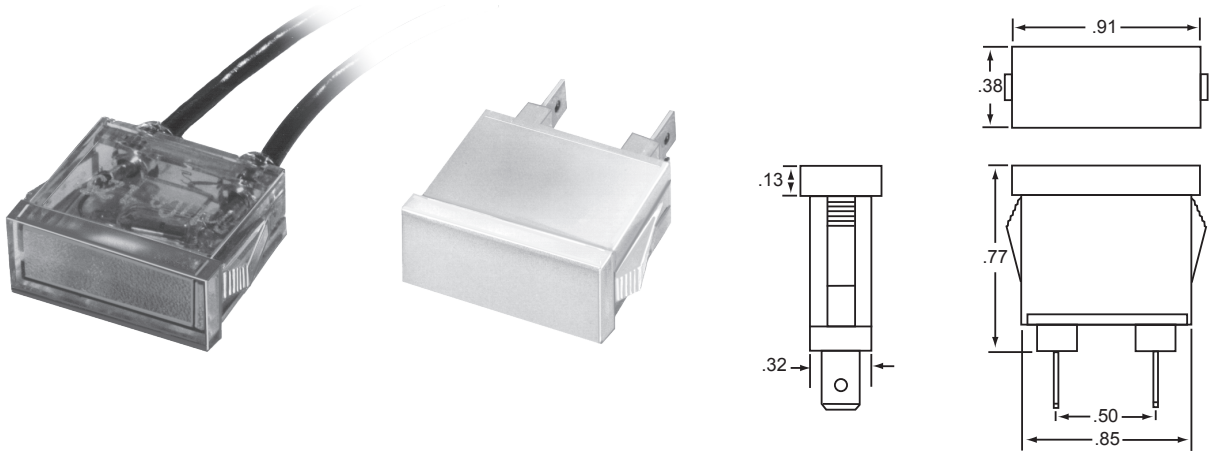
# Series 32

## Features

- Snap fits into .865 x .330 panel cutout
- Incandescent and neon illumination
- Body and lens are one piece design

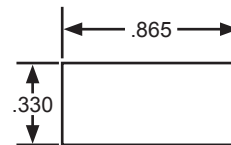
## Specifications

- Body & Lens Material: Polycarbonate
- Wire Gauge: 18 ga.
- Wire Strip: 1/2"
- Terminals: .187 Tabs
- Panel Thickness: .025 to .125
- Certifications: Contact Us



Series	Lamp		Termination		Base		Bezel		Lens				
XX	XX		X		X		X		XXX		X	0	
32	Voltage	Type	Code	Style	Code	Color	Code	Finish	Code	Style	Code	Color	Plain
	6	INCAND	32	6" Wire	1	N/A	0	N/A	0	Rectangular Translucent	171	Red	1
	14	INCAND	35	.187 Tabs	3					Rectangular Frost	174	Amber	2
	28	INCAND	39	Special	X							Clear	3
												Green	4
	125	NEON	50									Blue	5
	250	NEON	52									White	6
												Color	Marked
												Red	A
												Amber	B
												Clear	C
												Green	D
												Blue	E
												White	F

Panel Cutout



White is Translucent  
Clear is Transparent

**Additional Options Available:**  
Contact Factory