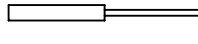



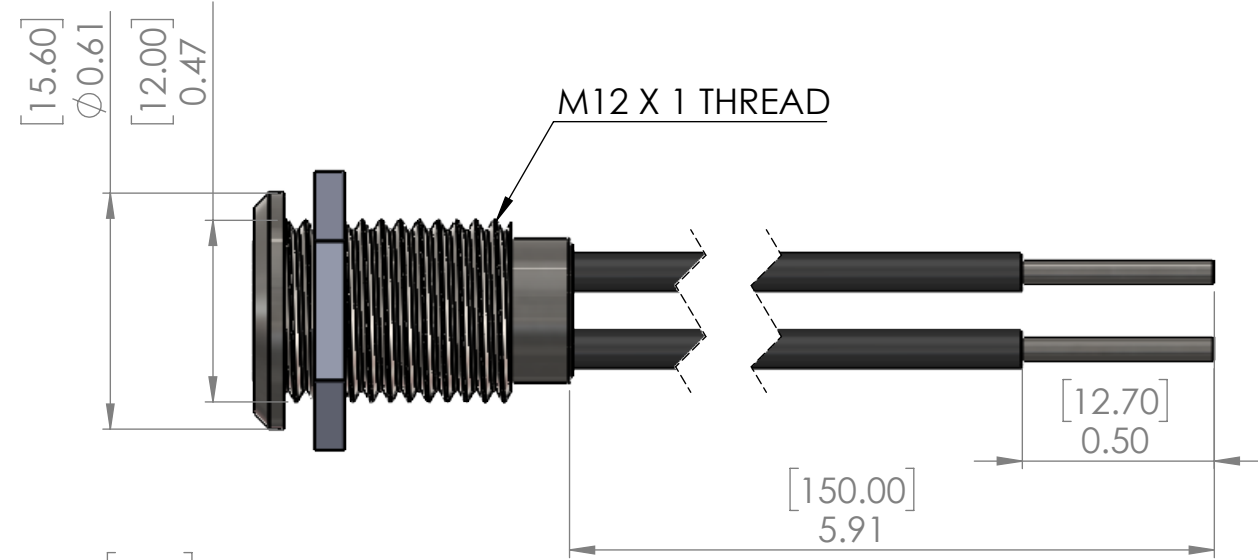
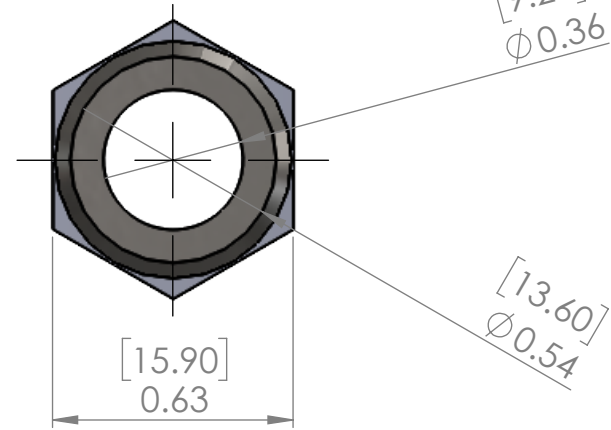
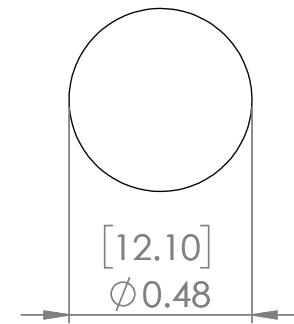
THIS DRAWING AND DIMENSIONS PROVIDED FOR REFERENCE ONLY.

DWG NO.	SERIES BR	REV.
		A

TERMINATION		
Style	Code	Specifications
	1	Rear Apoxy Wire
	5	Solder lug/fastons (2.8 x 0.8)

REV.	DESCRIPTION	DATE	APPROVED
A	INITIAL RELEASE	3/23/22	JAKE JANOSO
B	UPDATED DIMENSIONS AND PART INFO	5/4/22	JAKE JANOSO

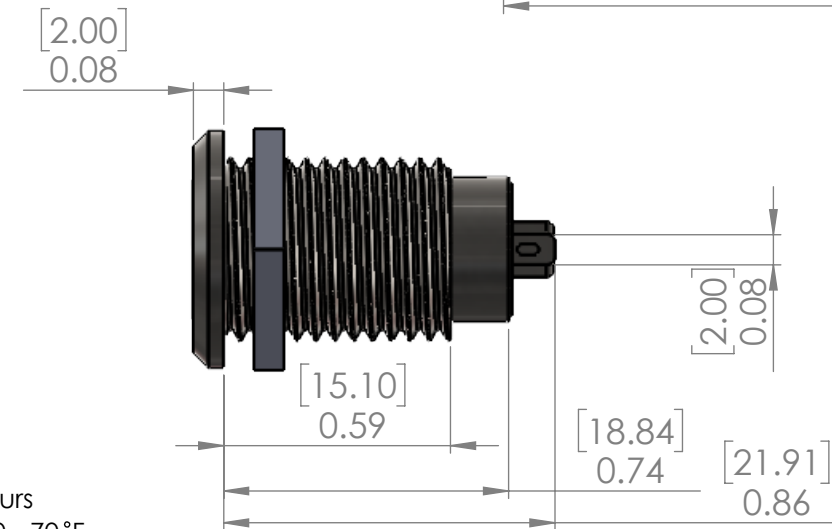
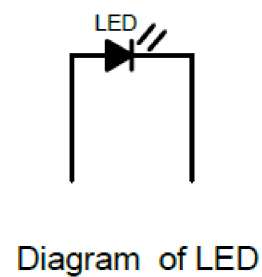
MOUNTING HOLE



PANEL THICKNESS RANGE:  
.039-.393" (1-10 mm)


**Technical Notes:**

- Nut Torque: 2-14 N\*m;
- Protection Grade: IP68 IK10;
- Material: Stainless Steel 30;
- Product name: LED Indicator Light;
- Lamp Voltage: 3-250 VDC/AC
- Rating: 20mA 250VDC MAX;
- Dielectrical Life: more than 100,000 hours
- Operating Temperature: -40 - 70°C/-40 - 70°F
- Storage Temperature: -40 - 70°C/-40 - 70°F
- Operating Humidity: 10-90%
- Connection Type: Pin Connection;
- Base Material: PA66
- Certification: Compliance with ROHS requirement



\*Mounting Hole Dimensions shown are TYPICAL.  
Customer is responsible for determining  
final size based on panel material and thickness

SOLICO PART NUMBER

<b>PROPRIETARY NOTICE</b> NOTICE TO ALL PERSONS RECEIVING THIS DRAWING, THIS DOCUMENT IS THE SOLE PROPERTY OF SORENSON LIGHTED CONTROLS, INC. AND IS NOT TO BE DISCLOSED, REPRODUCED IN WHOLE OR IN PART, OR USED FOR ANY MANUFACTURING PURPOSES BY ANYONE WITHOUT THE EXPRESS CONSENT OF SORENSON LIGHTED CONTROLS, INC.	<b>UNSPECIFIED TOLERANCES</b> FRAC. ±1/64    X.XXX ±0.005 X.XX ±0.01    ANGLES ±1°		TOOL NO. DRAWN    JAJ    DATE    3/23/22 CHECKED       DATE APVD       DATE		
	PROJECTIONS 	DIMENSIONS IN (mm)			
				TITLE CATALOG DRAWING	
				SIZE <b>B</b>	DWG. NO. SERIES BR-12MM

SORENSON LIGHTED CONTROLS, INC. 100 Shield Street - West Hartford, CT 06110		
TITLE CATALOG DRAWING		
SIZE <b>B</b>	DWG. NO. SERIES BR-12MM	REV <b>B</b>
USED ON		SHEET 1 OF 1

2:1