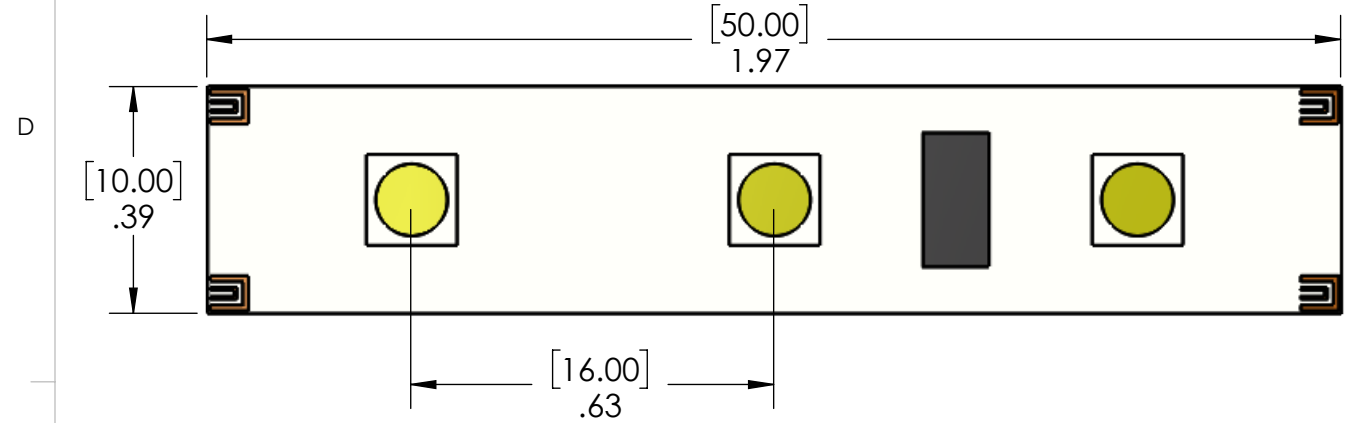
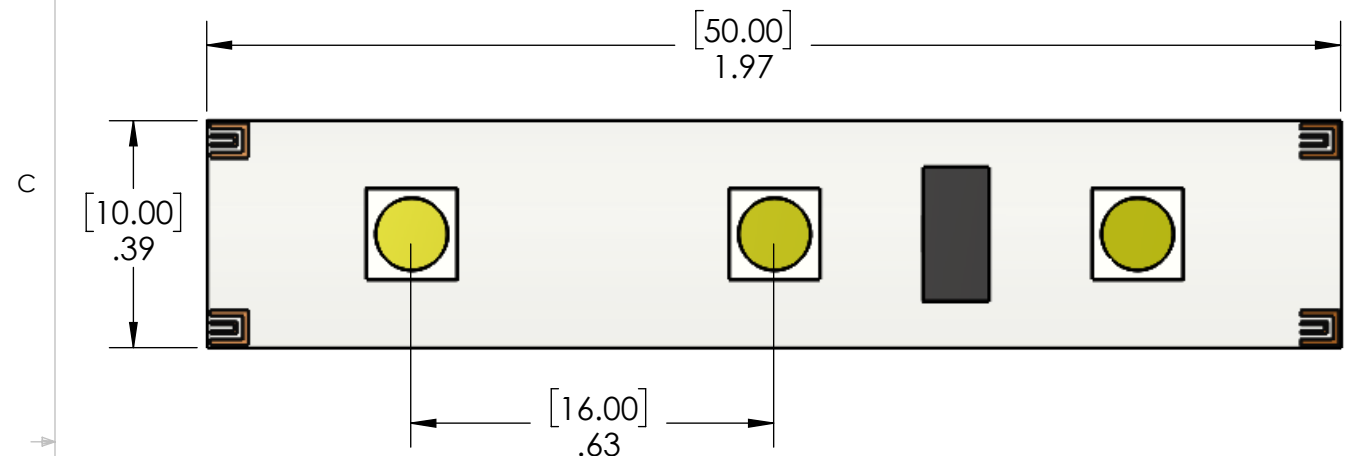
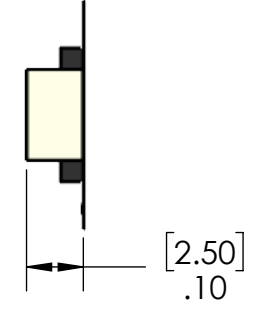


THIS DRAWING AND DIMENSIONS PROVIDED FOR REFERENCE ONLY

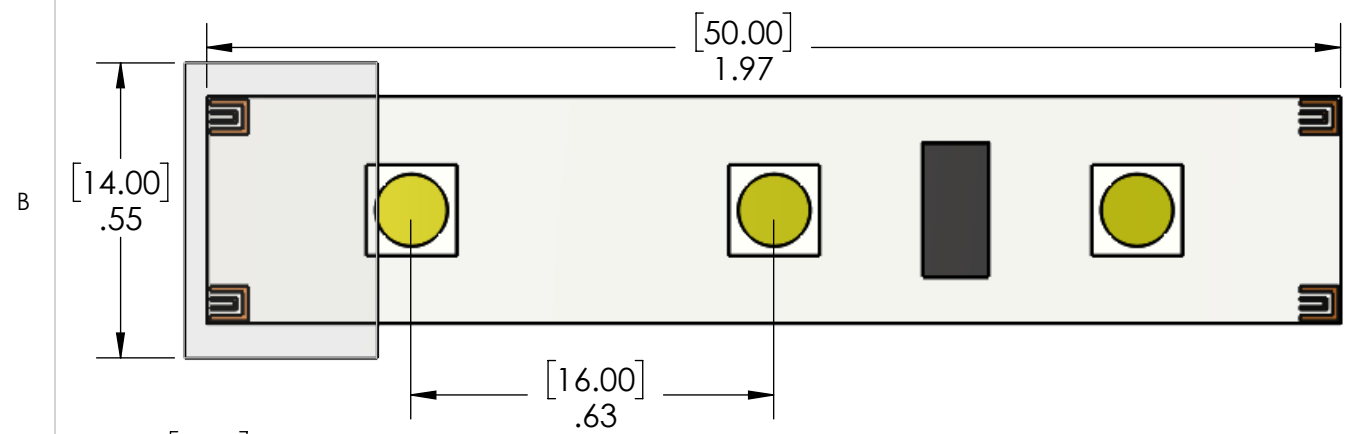
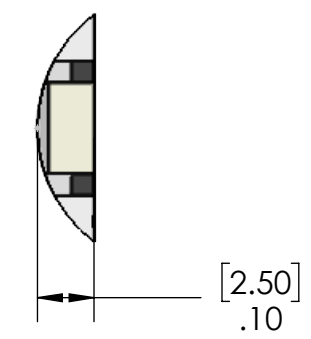
REVISIONS				
ZONE	REV.	DESCRIPTION	DATE	APPROVED
	A	INITIAL RELEASE	2/22/2024	JAKE JANOSO



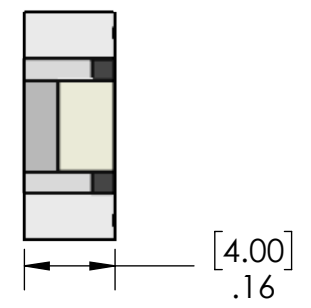
Unsealed IP20



Dustproof IP65

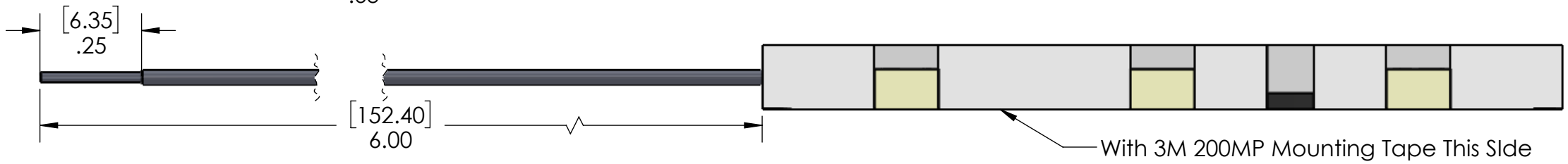


Sealed/Waterproof IP67/IP68



Standard length per reel is 5M (16 ft)  
300 LED's per reel (5050)  
Wire Gauge: 20 Ga

Operating Voltage: 12VDC +/- 5%  
Power: 72 Watts  
Conditions: Outdoor or Indoor  
PCB: Flexible  
Viewing Angle: 120-160 Degrees  
Max Current: 6 Amps @ 12V Per reel  
Cut Spec: 3 LED's per 50mm  
Temp Range: -45 C TO + 85 C



**PROPRIETARY NOTICE**  
NOTICE TO ALL PERSONS RECEIVING THIS DRAWING. THIS DOCUMENT IS THE SOLE PROPERTY OF SORENSON LIGHTED CONTROLS, INC. AND IS NOT TO BE DISCLOSED, REPRODUCED IN WHOLE OR IN PART, OR USED FOR ANY MANUFACTURING PURPOSES BY ANYONE WITHOUT THE EXPRESS CONSENT OF SORENSON LIGHTED CONTROLS, INC.

UNSPECIFIED TOLERANCES		TOOL NO.	
FRAC. ±1/64	X.XXX ±0.005	DRAWN	DATE
X.XX ±0.01	ANGLES ±1°	JAJ	2/22/24
PROJECTIONS	DIMENSIONS	CHECKED	DATE
	IN (mm)	APVD	DATE

SORENSON LIGHTED CONTROLS, INC. 100 Shield Street - West Hartford, CT 06110			
TITLE			
SIZE	DWG. NO.	REV	
<b>B</b>	RU-SERIES	<b>A</b>	
USED ON	SCALE	SHEET 1 OF 1	
	3:1		