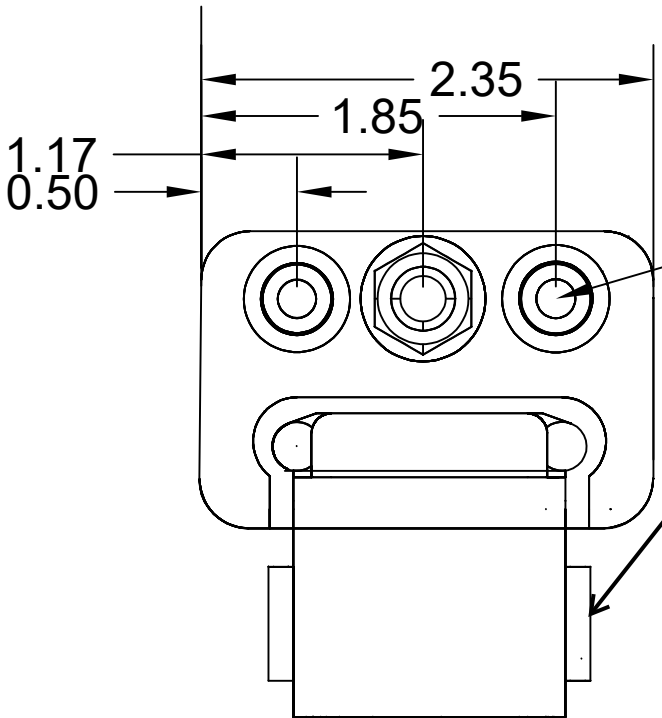
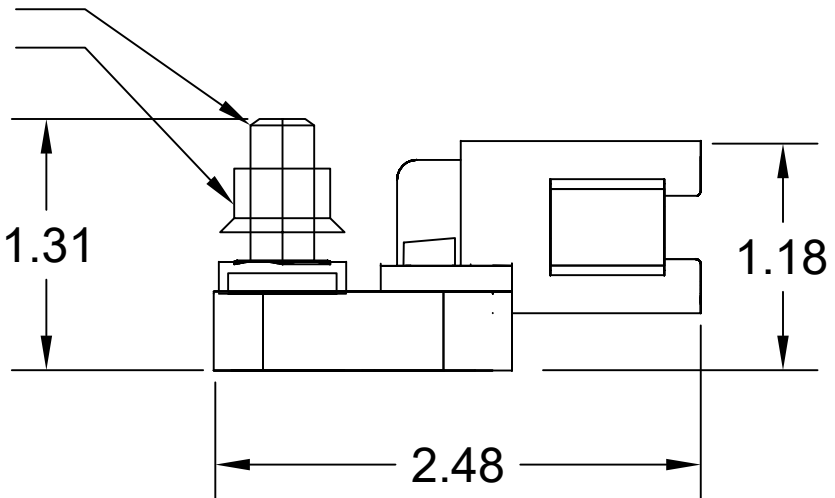


| REVISIONS | |
|-------------|-------------|
| DESCRIPTION | DATE |
| Release | 15 JAN 2015 |

SBB-SHP

5/16-18 x 1" SS STUD
 5/16-18 SERATED FLANGE NUT



MOUNTING HOLE FOR #10 PAN HEAD

DTF13-12PA

RATINGS: 200A @ 48V DC,
 13A PER SIZE 16 CONTACT
 25A PER SIZE 12 CONTACT
 STUD: 1 @ 5/16-18 STAINLESS STEEL

CONNECTOR: SEALED TO IP67
 IGNITION PROTECTED: SAE J1171
 AMPHENOL MATING CONNECTOR: AT1612-13S3
 BUS MATERIAL: C1100 ELECTROLYTIC COPPER
 BASE: REPTU - INJECTION MOLDED - BLACK



WWW.SEALEDUSSBAR.COM
 The best protection for your electrical connections

THIS DRAWING IS THE PROPERTY OF SORENSON LIGHTED CONTROLS, INC. A FLORIDA CORPORATION. ALL RIGHTS RESERVED. THIS DRAWING AND INFORMATION CONTAINED MAY NOT BE COPIED OR DISCLOSED TO OTHERS WITHOUT THE WRITTEN PERMISSION OF SORENSON LIGHTED CONTROLS, INC.