

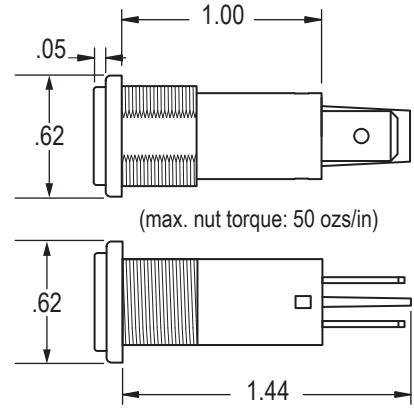
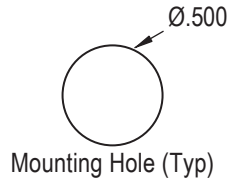
# Series 67

## Features

- Fits into .500" panel hole
- LED, incandescent, and neon illumination
- lock washer, hex nut

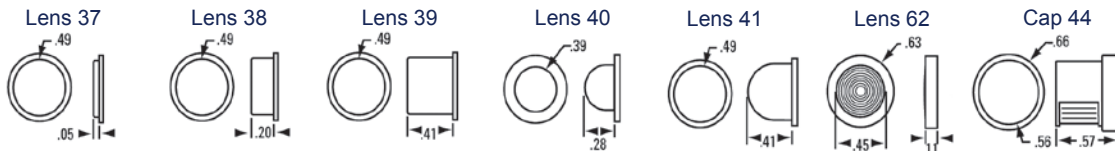
## Specifications

- Body & Lens Material: Polycarbonate
- Bezel Material: Stainless steel or plated brass
- Panel Thickness: .031" to .125"
- Certifications: Contact Us
- .18 AWG Wire



Series	Lamp	Termination		Base		Bezel		Lens					
XX	XX	-	X	-	X	X	-	XXX	X	00			
	Voltage	Type	Code	Style	Code	Color	Code	Finish	Code	Style	Code	Color	Code
67	2	LED	10	6" Wire	1	N/A	0	None	0	Cylinder Translucent	371	Red	1
	6	LED	11	.187 Tabs	3			Stainless	1	Cylinder Diamond	373	Amber	2
	14	LED	12	.250 Tabs	4			Bright	2	Cylinder Translucent	381	Clear	3 <sup>1</sup>
	28	LED	13					Black	3	Cylinder Diamond	383	Green	4
	125	LED	15 <sup>4</sup>							Cylinder Rings	386	Blue	5
	250	LED	16 <sup>4</sup>							Cylinder Diamond	393	White	6
	6	INCAND	32							Small Dome Lines	405		
	14	INCAND	35							Large Dome Translucent	411	Color	Marked
	28	INCAND	39							Large Dome Lines	415	Red	A
	125	NEON	50							Semi Dome Rings	426 <sup>2</sup>	Amber	B
	250	NEON	52							Flush Lens w/Tapered Bezel	626 <sup>3</sup>	Clear	C <sup>1</sup>
										Cap, Black (F1C) Transparent	444 <sup>2</sup>	Green	D
												Blue	E
												White	F
			Custom		XX								

White is Translucent  
Clear is Transparent



**Additional Options Available:**  
Contact [sales@solico.com](mailto:sales@solico.com)

1. Clear lens has white LED
2. Bezel not available
3. Bright Bezel only, use code 2
4. Wire Leads Only